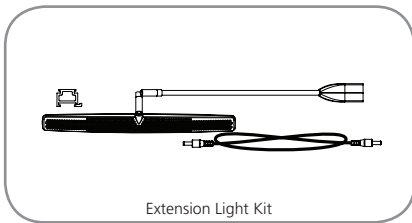
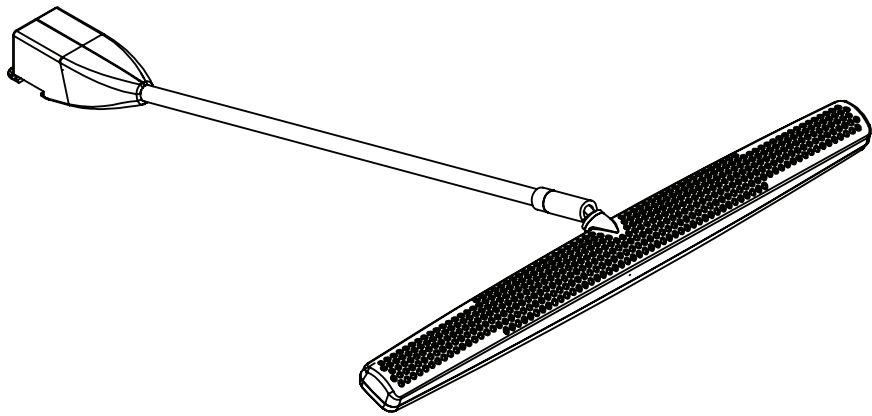


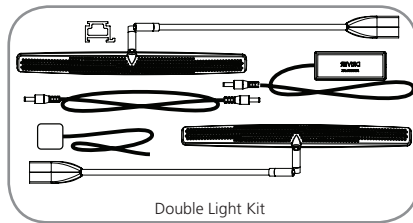
LED Arm Light- Strip

LUM-LED5-ORL-B
LUM-LED5-ORL-EXT

Incorporate modern, bright LED light into your display and draw attention to your brand and message with elegance. With a contemporary profile, you can modernize your display, set the stage, and better communicate a clear message.



Extension Light Kit



Double Light Kit

features and benefits:

- Mounts on dovetails and extrusion channels
- Black coated exterior
- Low voltage 12 watt
- Straight arm with adjustable head
- Project cool white light
- UL approved
- One year warranty against manufacturer defects

dimensions:

Hardware

Assembled Dimensions:
Extension Kit:
12.63" w x 16.1" d
321 mm(w) x 409 mm(d)

Shipping

Shipping Dimensions:
Double Light Kit:
24" l x 12" w x 3" h
607mm(l) x 305mm(w) x 76mm(h)

Extension Kit:
24" l x 5" w x 2" h
607mm(l) x 127mm(w) x 51mm(h)

Approximate Shipping Weight:
Double Light Kit:
4 lbs. / 1.81 kg

Extension Kit:
2 lbs. / .91 kg

additional information:

Lighting

- 24 Volts
- 1200 Lumens
- 5500K Kelvins

Safety Warnings

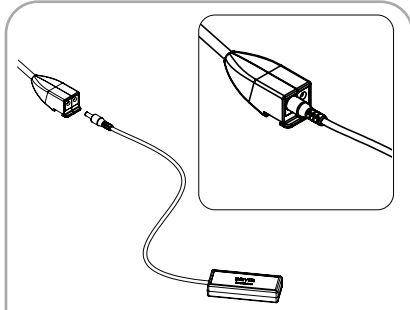
- Light is not protected against moisture. Do not expose to direct or indirect moisture.
- Overloading power supply can cause overheating, shorting and possibly fire.



WARNING
DO NOT LOOK
DIRECTLY AT LIGHT

We are continually improving and modifying our product range and reserve the right to vary the specifications without prior notice. All dimensions and weights quoted are approximate and we accept no responsibility for variance. E&OE. See Graphic Templates for graphic bleed specifications.

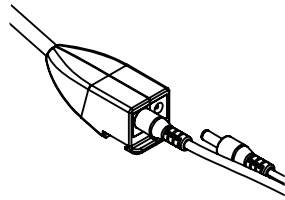
Connect the Power Supply



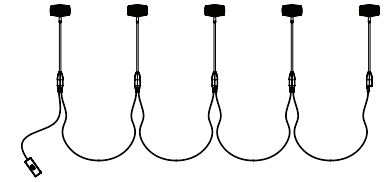
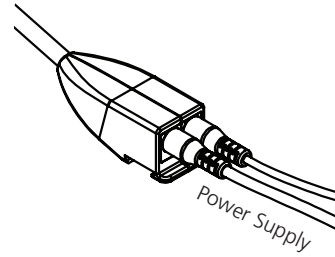
Plug the power supply into the back of the light (either socket can be used).

1

Link Lights



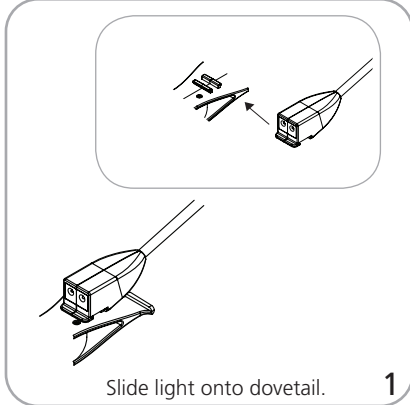
Plug the link cable into the back of the light to link lights.



A maximum of five lights can be linked from one power supply.

1

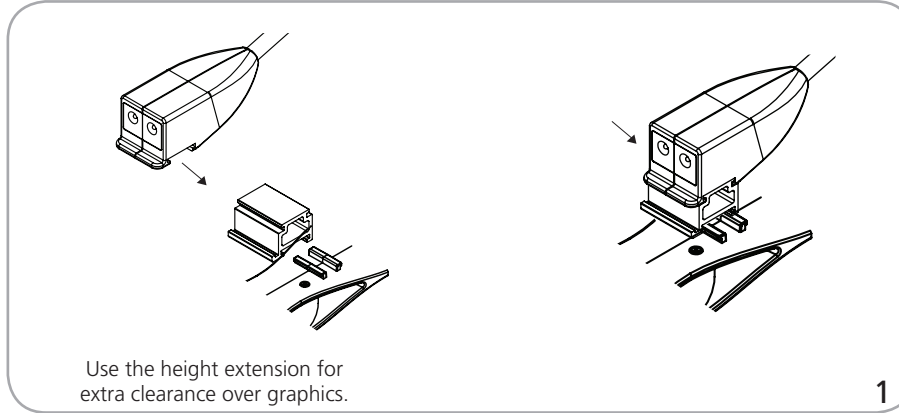
Attach Light to Dovetail



Slide light onto dovetail.

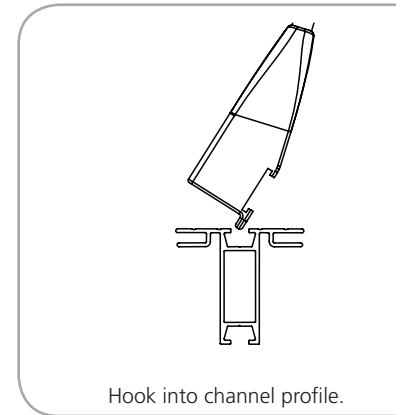
1

Attach Light to Extrusion



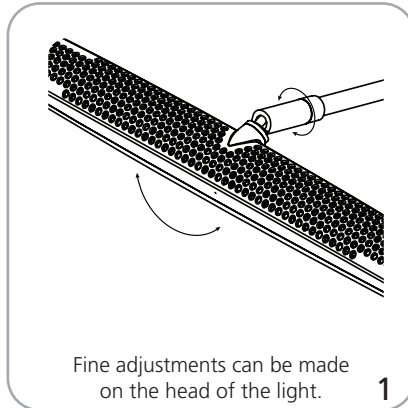
Use the height extension for extra clearance over graphics.

1



Hook into channel profile.

Position Light



Fine adjustments can be made on the head of the light.

1

Connect Power



Plug into the power supply there is no switch so the light will come on once plugged in.

1