

# Coyote Mini

COY-M-KKG-3X2-C  
COY-M-KKG-2X2-C

The Coyote popup display system combines strength, reliability, and style in a lightweight and easy to use system. It is fully magnetic, making it simple to assemble and disassemble, and is available in two sizes.



## features and benefits:


- Quick to set up
- Easy to store and ship
- Single or double sided
- LED lighting available
- Approx. 20% smaller than standard Coyote tabletops
- Collapses to a fraction of its size
- Entire display rolls up into a special storage sleeve which slides into a padded carry case
- Add an optional OCS hard case for shipping or extra secure storage
- Lifetime hardware warranty against manufacturer defects

## dimensions:

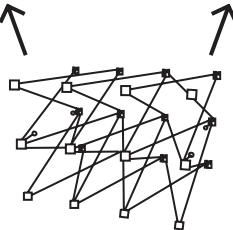
Hardware	Graphic
<p>Assembled unit: 2x2: 57.75" w x 48.25" h x 11.75" d 1467mm(w) x 1226mm(h) x 298mm(d) 3x2: 77.5" w x 48.25" h x 16.25" d 1969mm(w) x 1226mm(h) x 413mm(d)</p> <p>Weight: 2x2: 20 lbs / 9 kg 3x2: 25 lbs / 11 kg</p>	<p>Refer to related graphic template for more information.</p> <p>Visit: <a href="http://www.exhibitors-handbook.com/graphic-templates">www.exhibitors-handbook.com/graphic-templates</a></p>
<p>Shipping</p> <p>Shipping dimensions: 2x2 Box: 31" l x 14" h x 13" d 787mm(l) x 356mm(h) x 330mm(d) 3x2 Box: 30" l x 14" h x 14" d 762mm(l) x 356mm(h) x 356mm(d)</p> <p>Shipping dimensions - Optional OCS Case: 43" l x 18" h x 17" d 1092mm(l) x 457mm(h) x 432mm(d)</p> <p>Shipping weight: 2x2: 26 lbs / 12 kg 3x2: 30 lbs / 14 kg</p> <p>Shipping weight – Optional OCS Case: 2x2: 42 lbs / 19 kg 3x2: 46 lbs / 21 kg</p>	<p><b>additional information:</b></p> <p>Recommended material: 22mil Opaque PVC</p> <p>End panel substrate is to be 10 mils or less</p> <p>If printing own graphics, magnet must go directly to edge of panel</p>

We are continually improving and modifying our product range and reserve the right to vary the specifications without prior notice. All dimensions and weights quoted are approximate and we accept no responsibility for variance. E&OE. See Graphic Templates for graphic bleed specifications.

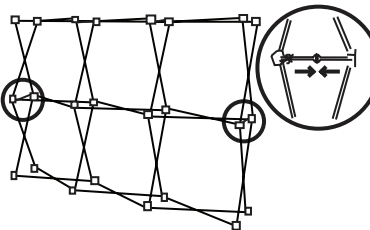
# Frame Set-up



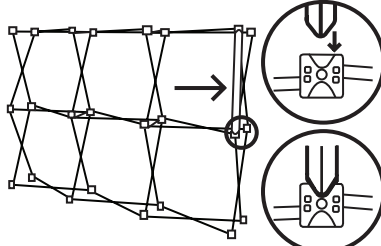
Unpack the frame. 1



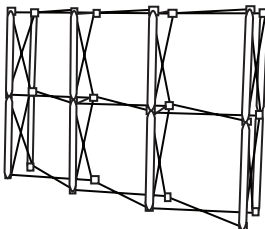
Slowly pull upward on the frame to extend it. 2



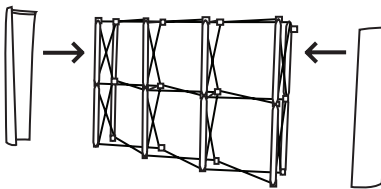
Push together all locking arms. 3



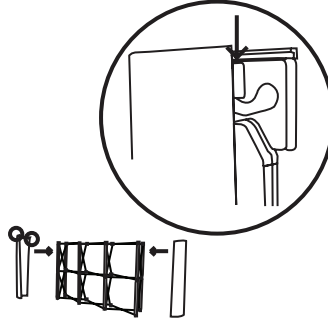
Place channel bars on frame. Slide into triangular groove to secure. 4



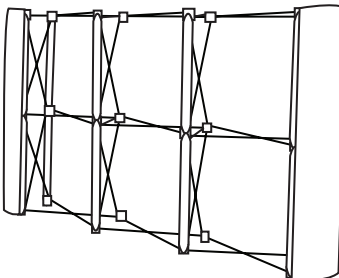
Cover front of frame and two back corners with channel bars. 5



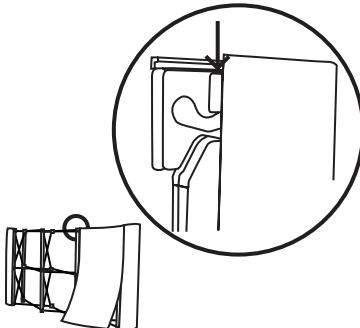
Start graphic attachment with end caps. 6



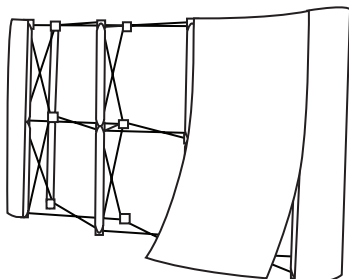
Hang the panels using the hooks on top of the unit. 7



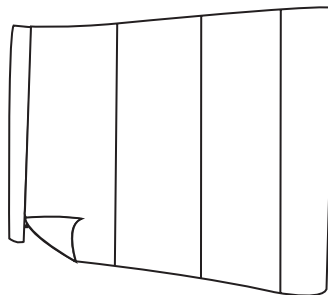
After panel is secured to top hook attach to back and front magnetic channel bars. 8



Once end caps are secured attach the main panels using hooks. 9



Once panels are hooked to top, attach to magnetic channel bars. 10

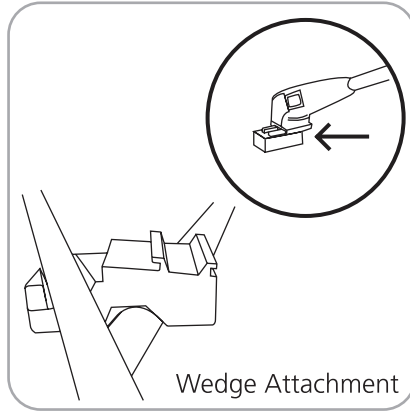
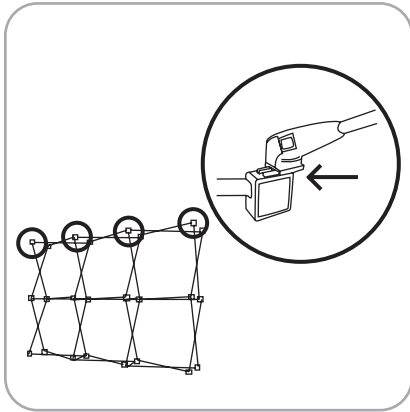


Repeat process until all graphic panels are secured. 11

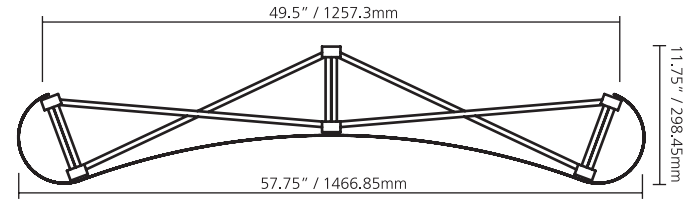


Unit is complete. 12

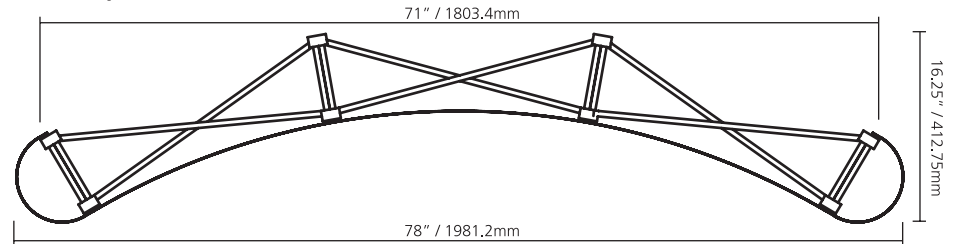
## LIGHTS



### 2x2 Coyote Mini

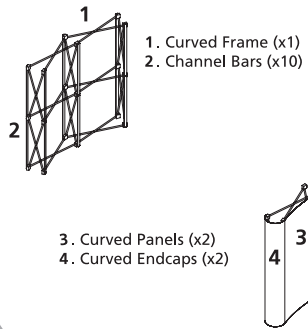


### 3x2 Coyote Mini

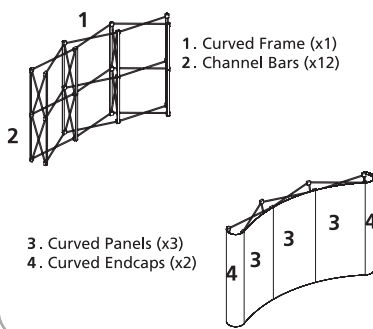


## PANEL PLACEMENT

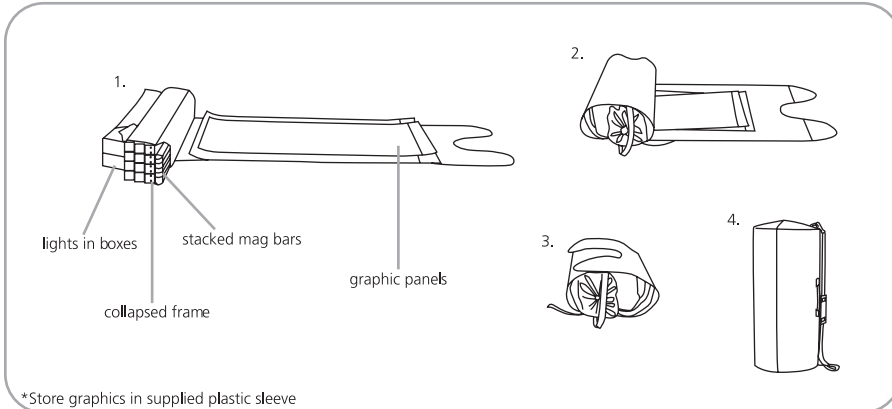
### 2x2 Mini



### 2x3 Mini



## REPACKING



### 2x2 Coyote Mini Kit Includes:

- (x1) 2x2 Frame
- (x10) Channel Bars
- (x2) Endcap Panels
- (x2) Front Curved Panels
- (x2) Lumina 1 Black Spotlights (unless another light specified)
- (x1) Padded Carry Case

### 3x2 Coyote Mini Kit Includes:

- (x1) 3x2 Frame
- (x12) Channel Bars
- (x2) Endcap Panels
- (x3) Front Curved Panels
- (x2) Lumina 1 Black Spotlights (unless another light specified)
- (x1) Padded Carry Case

### Optional Lighting Available:

